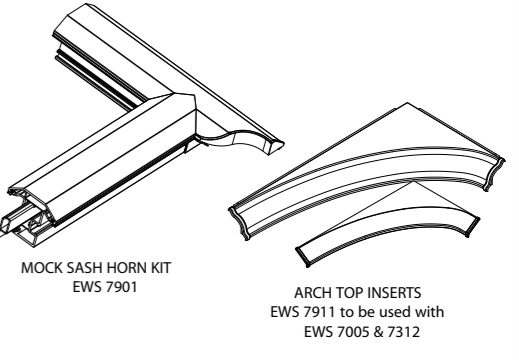


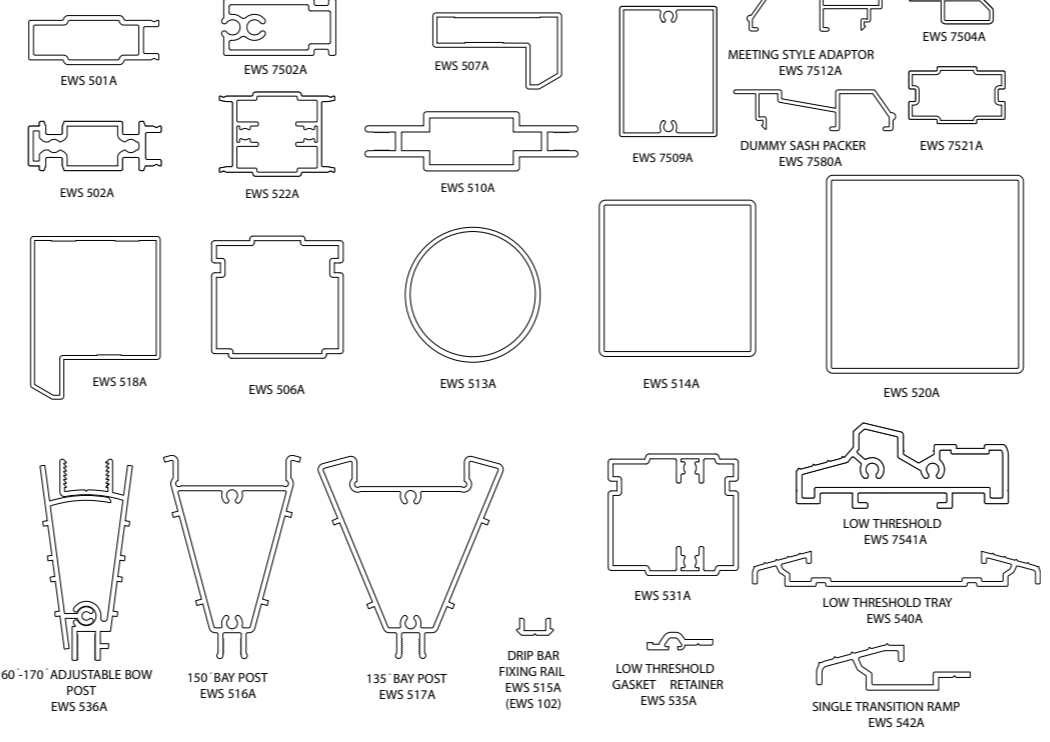
decorative features



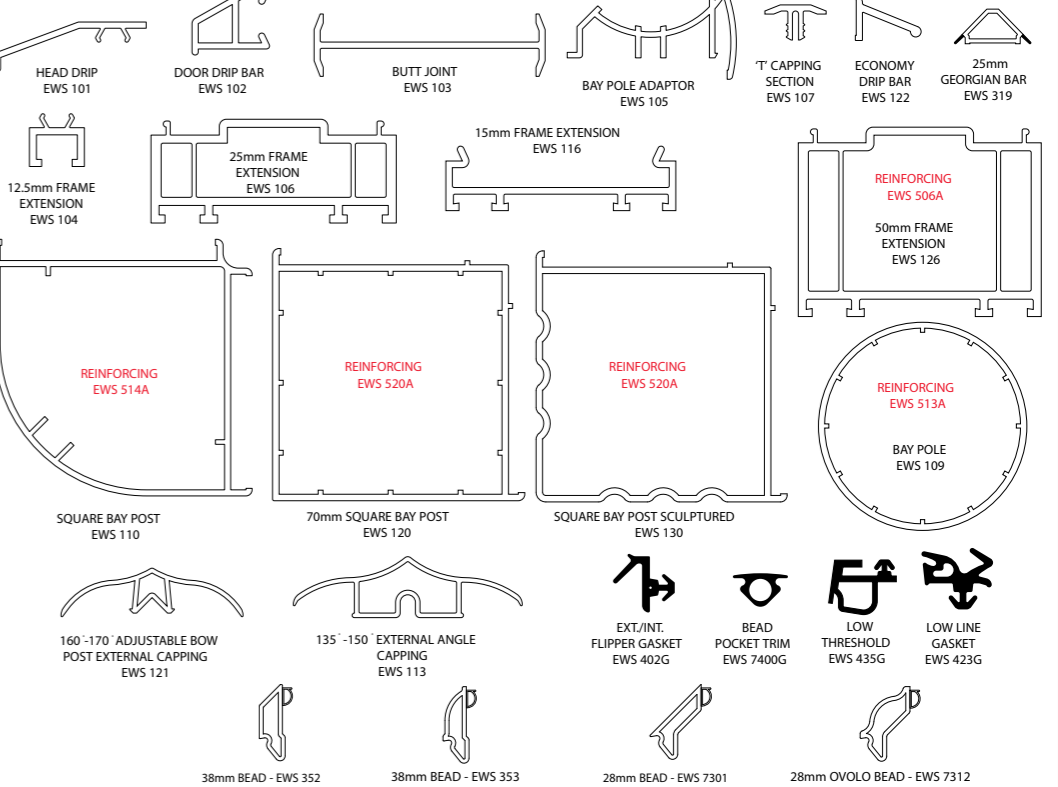
mouldings



aluminium components



ancillaries, beads & gaskets



steel components

